

# REASONING

## 4ER16

# National Numeracy Tests

First name \_\_\_\_\_

Last name \_\_\_\_\_

School \_\_\_\_\_

Class \_\_\_\_\_

Date of birth ○○ ○○ ○○○○

Date of test ○○ 05 2016

Total score  (maximum 20)



139141



Llywodraeth Cymru  
Welsh Government

1



Every quarter of an hour I **ding**.



Every **10** minutes I **dong**.

In **one hour**, how many **dings** are there?

dings




In **one hour**, how many **dongs** are there?

dongs



In **ten hours**, how many **more dongs** than dings are there?



more dongs





Clock costs £4.20  
Needs 3 batteries



Clock costs £3.10  
Needs 3 batteries




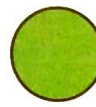










Cost 60p  
for each pack of 2 batteries

The crocs have £9 altogether.


Can they buy the red clock **and** the blue clock **and** all the packs of batteries they need?

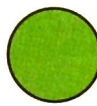
Show how you work it out.


2 Each shape stands for a number.


				Total of the row
				40
				32
				26





Work out the missing numbers below.



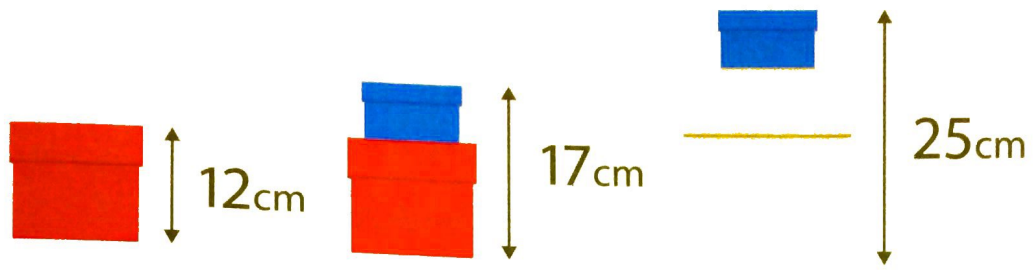
 =

 =

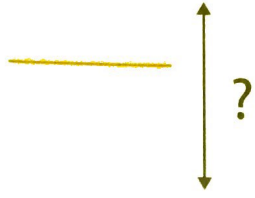
 =

so  +  +  +  =

3



How tall is the **yellow** box?



Work it out.

A large rectangular workspace for working out the problem. It contains a small icon of a notepad and pencil in the top left corner and a small rectangular box in the bottom right corner with the text "cm" inside.

2m

4 Write numbers to make the calculation correct.

$$2 \times \underline{\hspace{2cm}} = 3 \times \underline{\hspace{2cm}}$$

Now show another way to make the calculation correct.

$$2 \times \underline{\hspace{2cm}} = 3 \times \underline{\hspace{2cm}}$$

1m

1m

TOTAL  
7m

5

Leo waits for his friends.



**Alun** must **not** sit next to me.

**Bibi** must sit on the **middle seat**.

**Cai** and **Dan** can sit on any of the empty seats.

There are four **different** ways the friends can sit. Show them all.

Leo

Leo

Leo

Leo



3m

6 Here are three wise owls, Big Eyes, Pinky and Grump.



Big Eyes has some books.



Pinky has **twice** as many books as Big Eyes.



Grump has **three times** as many books as Big Eyes.

Altogether, they have 24 books.

How many books does each owl have?



has

books



has

books



has

books

24 books altogether



3m

TOTAL



6m